

*Pioneer*

DJ MIXER

**DJM-1000**

Operating Instructions

Thank you for buying this Pioneer product.

Please read through these operating instructions so you will know how to operate your model properly. After you have finished reading the instructions, put them away in a safe place for future reference.

In some countries or regions, the shape of the power plug and power outlet may sometimes differ from that shown in the explanatory drawings. However the method of connecting and operating the unit is the same.

K015 En

## IMPORTANT



The lightning flash with arrowhead symbol, within an equilateral triangle, is intended to alert the user to the presence of uninsulated "dangerous voltage" within the product's enclosure that may be of sufficient magnitude to constitute a risk of electric shock to persons.

## CAUTION

**RISK OF ELECTRIC SHOCK  
DO NOT OPEN**

**CAUTION:**  
TO PREVENT THE RISK OF ELECTRIC SHOCK, DO NOT REMOVE COVER (OR BACK). NO USER-SERVICEABLE PARTS INSIDE. REFER SERVICING TO QUALIFIED SERVICE PERSONNEL.



The exclamation point within an equilateral triangle is intended to alert the user to the presence of important operating and maintenance (servicing) instructions in the literature accompanying the appliance.

D3-4-2-1-1\_En-A

## WARNING

**This equipment is not waterproof. To prevent a fire or shock hazard, do not place any container filled with liquid near this equipment (such as a vase or flower pot) or expose it to dripping, splashing, rain or moisture.**

D3-4-2-1-3\_A\_En

**IMPORTANT NOTICE**— THE SERIAL NUMBER FOR THIS EQUIPMENT IS LOCATED IN THE REAR. PLEASE WRITE THIS SERIAL NUMBER ON YOUR ENCLOSED WARRANTY CARD AND KEEP IN A SECURE AREA. THIS IS FOR YOUR SECURITY.

D1-4-2-6-1\_En

# IMPORTANT SAFETY INSTRUCTIONS

**READ INSTRUCTIONS** — All the safety and operating instructions should be read before the product is operated.

**RETAIN INSTRUCTIONS** — The safety and operating instructions should be retained for future reference.

**HEED WARNINGS** — All warnings on the product and in the operating instructions should be adhered to.

**FOLLOW INSTRUCTIONS** — All operating and use instructions should be followed.

**CLEANING** — The product should be cleaned only with a polishing cloth or a soft dry cloth. Never clean with furniture wax, benzene, insecticides or other volatile liquids since they may corrode the cabinet.

**ATTACHMENTS** — Do not use attachments not recommended by the product manufacturer as they may cause hazards.

**WATER AND MOISTURE** — Do not use this product near water — for example, near a bathtub, wash bowl, kitchen sink, or laundry tub; in a wet basement; or near a swimming pool; and the like.

**ACCESSORIES** — Do not place this product on an unstable cart, stand, tripod, bracket, or table. The product may fall, causing serious injury to a child or adult, and serious damage to the product. Use only with a cart, stand, tripod, bracket, or table recommended by the manufacturer, or sold with the product. Any mounting of the product should follow the manufacturer's instructions, and should use a mounting accessory recommended by the manufacturer.

**CART** — A product and cart combination should be moved with care. Quick stops, excessive force, and uneven surfaces may cause the product and cart combination to overturn.



**VENTILATION** — Slots and openings in the cabinet are provided for ventilation and to ensure reliable operation of the product and to protect it from overheating, and these openings must not be blocked or covered. The openings should never be blocked by placing the product on a bed, sofa, rug, or other similar surface. This product should not be placed in a built-in installation such as a bookcase or rack unless proper ventilation is provided or the manufacturer's instructions have been adhered to.

**POWER SOURCES** — This product should be operated only from the type of power source indicated on the marking label. If you are not sure of the type of power supply to your home, consult your product dealer or local power company.

**LOCATION** — The appliance should be installed in a stable location.

**NONUSE PERIODS** — The power cord of the appliance should be unplugged from the outlet when left un-used for a long period of time.

### GROUNDING OR POLARIZATION

- If this product is equipped with a polarized alternating current line plug (a plug having one blade wider than the other), it will fit into the outlet only one way. This is a safety feature. If you are unable to insert the plug fully into the outlet, try reversing the plug. If the plug should still fail to fit, contact your electrician to replace your obsolete outlet. Do not defeat the safety purpose of the polarized plug.
- If this product is equipped with a three-wire grounding type plug, a plug having a third (grounding) pin, it will only fit into a grounding type power outlet. This is a safety feature. If you are unable to insert the plug into the outlet, contact your electrician to replace your obsolete outlet. Do not defeat the safety purpose of the grounding type plug.

**POWER-CORD PROTECTION** — Power-supply cords should be routed so that they are not likely to be walked on or pinched by items placed upon or against them, paying particular attention to cords at plugs, convenience receptacles, and the point where they exit from the product.

**OUTDOOR ANTENNA GROUNDING** — If an outside antenna or cable system is connected to the product, be sure the antenna or cable system is grounded so as to provide some protection against voltage surges and built-up static charges. Article B10 of the National Electrical Code, ANSI/NFPA 70, provides information with regard to proper grounding of the mast and supporting structure, grounding of the lead-in wire to an antenna discharge unit, size of grounding conductors, location of antenna-discharge unit, connection to grounding electrodes, and requirements for the grounding electrode. See Figure A.

**LIGHTNING** — For added protection for this product during a lightning storm, or when it is left unattended and unused for long periods of time, unplug it from the wall outlet and disconnect the antenna or cable system. This will prevent damage to the product due to lightning and power-line surges.

**POWER LINES** — An outside antenna system should not be located in the vicinity of overhead power lines or other electric light or power circuits, or where it can fall into such power lines or circuits. When installing an outside antenna system, extreme care should be taken to keep from touching such power lines or circuits as contact with them might be fatal.

**OVERLOADING** — Do not overload wall outlets, extension cords, or integral convenience receptacles as this can result in a risk of fire or electric shock.

**OBJECT AND LIQUID ENTRY** — Never push objects of any kind into this product through openings as they may touch dangerous voltage points or short-out parts that could result in a fire or electric shock. Never spill liquid of any kind on the product.

**SERVICING** — Do not attempt to service this product yourself as opening or removing covers may expose you to dangerous voltage or other hazards. Refer all servicing to qualified service personnel.

**DAMAGE REQUIRING SERVICE** — Unplug this product from the wall outlet and refer servicing to qualified service personnel under the following conditions:

- When the power-supply cord or plug is damaged.
- If liquid has been spilled, or objects have fallen into the product.
- If the product has been exposed to rain or water.
- If the product does not operate normally by following the operating instructions. Adjust only those controls that are covered by the operating instructions as an improper adjustment of other controls may result in damage and will often require extensive work by a qualified technician to restore the product to its normal operation.
- If the product has been dropped or damaged in any way.
- When the product exhibits a distinct change in performance — this indicates a need for service.

**REPLACEMENT PARTS** — When replacement parts are required, be sure the service technician has used replacement parts specified by the manufacturer or have the same characteristics as the original part. Unauthorized substitutions may result in fire, electric shock, or other hazards.

**SAFETY CHECK** — Upon completion of any service or repairs to this product, ask the service technician to perform safety checks to determine that the product is in proper operating condition.

**WALL OR CEILING MOUNTING** — The product should not be mounted to a wall or ceiling.

**HEAT** — The product should be situated away from heat sources such as radiators, heat registers, stoves, or other products (including amplifiers) that produce heat.

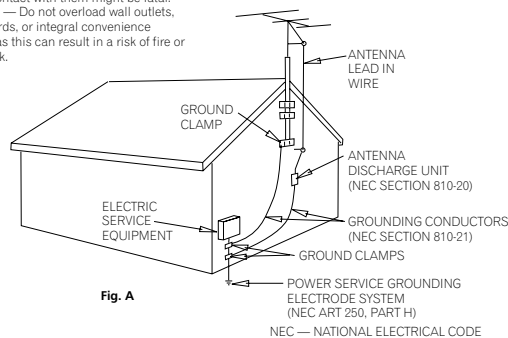


Fig. A

D1-4-2-2\_En

## Information to User

Alteration or modifications carried out without appropriate authorization may invalidate the user's right to operate the equipment.

D8-10-2\_En

**CAUTION:** This product satisfies FCC regulations when shielded cables and connectors are used to connect the unit to other equipment. To prevent electromagnetic interference with electric appliances such as radios and televisions, use shielded cables and connectors for connections.

D8-10-3a\_En

This Class B digital apparatus complies with Canadian ICES-003.

Cet appareil numérique de la Classe B est conforme à la norme NMB-003 du Canada.

D8-10-1-3\_EF

**CAUTION** — PREVENT ELECTRIC SHOCK DO NOT USE THIS (POLARIZED) PLUG WITH AN EXTENSION CORD, RECEPTACLE OR OTHER OUTLET UNLESS THE BLADES CAN BE FULLY INSERTED TO PREVENT BLADE EXPOSURE.

**ATTENTION** — POUR PREVENIR LES CHOCS ELECTRIQUES NE PAS UTILISER CETTE FICHE POLARISEE AVEC UN PROLONGATEUR UNE PRISE DE COURANT OU UNE AUTRE SORTIE DE COURANT, SAUF SI LES LAMES PEUVENT ETRE INSEREES A FOND SANS EN LAISSER AUCUNE PARTIE A DECOUVERT.

D2-4-4-1\_EF

**WARNING:** Handling the cord on this product or cords associated with accessories sold with the product will expose you to lead, a chemical known to the State of California and other governmental entities to cause cancer and birth defects or other reproductive harm.

**Wash hands after handling**

D36-P4\_En

**NOTE:** This equipment has been tested and found to comply with the limits for a Class B digital device, pursuant to Part 15 of the FCC Rules. These limits are designed to provide reasonable protection against harmful interference in a residential installation. This equipment generates, uses, and can radiate radio frequency energy and, if not installed and used in accordance with the instructions, may cause harmful interference to radio communications. However, there is no guarantee that interference will not occur in a particular installation. If this equipment does cause harmful interference to radio or television reception, which can be determined by turning the equipment off and on, the user is encouraged to try to correct the interference by one or more of the following measures:

- Reorient or relocate the receiving antenna.
- Increase the separation between the equipment and receiver.
- Connect the equipment into an outlet on a circuit different from that to which the receiver is connected.
- Consult the dealer or an experienced radio/TV technician for help.

D8-10-1-2\_En

## POWER-CORD CAUTION

Handle the power cord by the plug. Do not pull out the plug by tugging the cord and never touch the power cord when your hands are wet as this could cause a short circuit or electric shock. Do not place the unit, a piece of furniture, etc., on the power cord, or pinch the cord. Never make a knot in the cord or tie it with other cords. The power cords should be routed such that they are not likely to be stepped on. A damaged power cord can cause a fire or give you an electrical shock. Check the power cord once in a while. When you find it damaged, ask your nearest PIONEER authorized service center or your dealer for a replacement.

S002\_En

# FEATURES

## ① High sound quality design

Analog signals are transmitted via the shortest path and converted to digital signals by a 96 kHz sampling, 24 bit, high-quality A/D converter, thus passing the signals to the digital mixing stage under optimum conditions.

Through the use of a 32 bit DSP, mixing is achieved with zero sound quality degradation, and together with simultaneous ideal filtering, optimum sound is produced for professional DJs working in clubs.

To get the most from these features, a great deal of care has been paid to perfecting the sound quality, including a high-rigidity chassis to cut down unnecessary vibrations that might affect the sound, together with a high-performance power section using an R-core transformer that supports bass quality, thus creating clear and powerful sound ideal for club performances.

## ② 3 band isolator

Built-in 3-band isolator capable of producing level control +6 dB to  $-\infty$  on each bandwidth.

The sharp operation feel allows the realization of a wide variety of DJ performances.

## ③ 2-system, 3-type SEND/RETURN

A 2-system, 3-type SEND/RETURN (PRE INSERT/POST INSERT/AUX) is provided to allow multiple connection variations with other external devices, such as effectors and samplers, thus widening the range of DJ play potential.

## ④ Fader curve adjust

The fader curve adjust allows adjustment not only the cross fader curve (as on former models), but also of channel fader curve.

Both faders' functions can be adjusted within 17 steps, so that DJs can customize the settings to their own preferred settings.

## ⑤ Digital IN/OUT

Using digital input connectors provided for each of the sampling rates (44.1/48/96 kHz), a system can be built in which no sound quality degradation occurs when connecting to external digital devices.

A DIGITAL OUT connector with 24 bit/96 kHz sampling rate is provided, facilitating recording at studios and other situations demanding high sound quality.

Supports only linear PCM.

## ⑥ MIDI OUT

MIDI signals can be output to allow MIDI control of external devices.

## ⑦ Digital link function

Multiple functions can be performed by using digital link cables to connect other PIONEER DJ CD players, DJ effectors and AV mixers.

## ⑧ Other features

- By using a control cable to connect the unit to a PIONEER DJ-use CD player, playback can be started on the CD player in automatic linkage to operation of the fader ("fader start play").
- Built-in "3-band equalizer" enabling level control within range +6 dB to -26 dB at each bandwidth.
- Features "2-band booth EQ" for control of booth monitor response, thus facilitating booth monitoring by the DJ.
- Built-in "cross fader assign" function, enabling more flexible assigning of each channel's input to the cross fader.
- Built-in "TALK OVER function" automatically lowers track volume during MIC-input.

# CONTENTS

FEATURES .....	3
CONFIRM ACCESSORIES .....	3
CAUTIONS REGARDING HANDLING .....	4

## BEFORE USING

CONNECTIONS .....	5
CONNECTION PANEL .....	5
POWER CORD CONNECTION .....	6
CONNECTING TO THE INPUT CONNECTORS ...	6
CONNECTING TO THE EFFECTOR AND OUTPUT CONNECTORS .....	7
MIDI CONNECTORS .....	7
CONNECTING MICROPHONES, HEADPHONES ...	8
DIGITAL LINK CONNECTIONS .....	8
PART NAMES AND FUNCTIONS .....	9

## OPERATIONS

OPERATIONS .....	13
BASIC OPERATIONS .....	13
FADER CURVE ADJUSTMENTS .....	13
FADER START FUNCTION .....	14
USING EXTERNAL EFFECTORS .....	14
DIGITAL LINK FUNCTION .....	15

## OTHER

TROUBLESHOOTING .....	16
SPECIFICATIONS .....	17
BLOCK DIAGRAM .....	18

# CONFIRM ACCESSORIES

Operating Instructions .....	1
Power cord .....	1
Warranty .....	1

# CAUTIONS REGARDING HANDLING

## Location

**Install the unit in a well-ventilated location where it will not be exposed to high temperatures or humidity.**

- Do not install the unit in a location which is exposed to direct rays of the sun, or near stoves or radiators. Excessive heat can adversely affect the cabinet and internal components. Installation of the unit in a damp or dusty environment may also result in a malfunction or accident. (Avoid installation near cookers etc., where the unit may be exposed to oily smoke, steam or heat.)
- When the unit is used inside a carrying case or DJ booth, separate it from the walls or other equipment to improve heat radiation.

## Installing the DJM-1000 in an EIA rack

The screw holes on the front panel of the DJM-1000 are designed for use in attaching the unit to a 19-inch EIA rack.

- Attach the unit to the rack using screws of the appropriate size (screws not provided with the unit).
- When installing the unit in a rack, take care to avoid pinching your fingers.

### Note

- Never place this unit directly above a power amplifier, as the heat given off by the amplifier might result in damage to the unit. Placing the unit directly above a power amplifier might also result in ham radio signals being picked up or in other types of interference.
- Allow at least 1U (43.7 mm) space between this component and the one mounted above it, so as to assure that the cords connected to this unit's input/output connectors and terminals do not touch the component above.
- Always be sure to remove the unit from its rack before shipping.
- When moving the unit while still installed in its rack, exercise caution to avoid subjecting the unit to shocks or vibration.

## Condensation

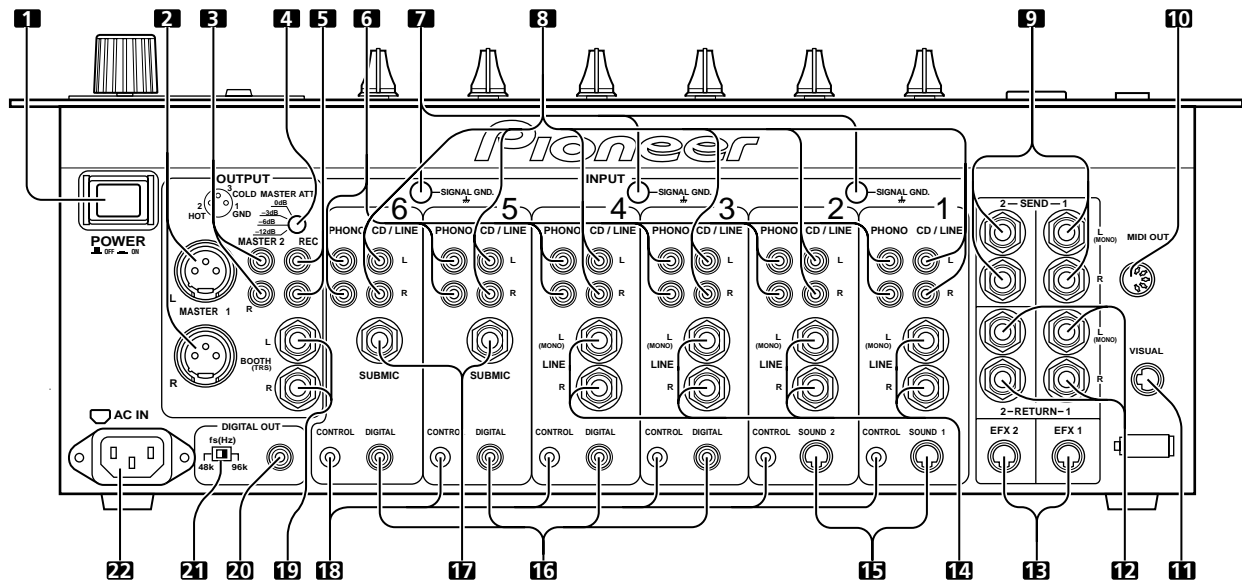
When this unit is brought into a warm room from previously cold surroundings or when the room temperature rises sharply, condensation may form inside, and the unit may not be able to attain its full performance. In cases like this, allow the unit to stand for about an hour or raise the room temperature gradually.

## Cleaning the Unit

- Use a polishing cloth to wipe off dust and dirt.
- When the surfaces are very dirty, wipe with a soft cloth dipped in some neutral cleanser diluted five or six times with water and wrung out well, then wipe again with a dry cloth. Do not use furniture wax or cleaners.
- Never use thinners, benzene, insecticide sprays or other chemicals on or near this unit, since these will corrode the surfaces.

# CONNECTIONS

## CONNECTION PANEL



### 1. POWER switch

### 2. MASTER output connector 1 (MASTER 1)

XLR type balanced output (male connector).

### 3. MASTER output connector 2 (MASTER 2)

RCA type unbalanced output.

### 4. MASTER output attenuator dial (MASTER ATT.)

Attenuates the output level of MASTER 1 and MASTER 2 output. The level of attenuation can be chosen from 0 dB, -3 dB, -6 dB, -12 dB.

### 5. Recording output connectors (REC)

RCA type output connector for recording.

### 6. PHONO input connectors

RCA type phono level (for MM cartridge) input connectors. Do not use for input of line level signals.

### 7. Signal grounding terminal (SIGNAL GND)

Use to connect grounding wire from analog player. Not a terminal for safety grounding.

### 8. CD/LINE input connectors

RCA type line level input connectors. Use to connect DJ CD players and/or line level output devices.

### 9. SEND output connectors (SEND 1, 2)

Ø6.3 mm phone type output connectors. Use to connect input connectors from external effectors, etc. When only the L channel is connected, a monaural signal of L+R is output.

### 10. MIDI output connector (MIDI OUT)

DIN type output connector. Connects with other MIDI devices (P.7).

### 11. VISUAL link connector

When a digital link cable is used to connect the unit to a PIONEER video mixer (switcher) supporting digital-linkage, the video mixer's cross fader can be controlled using the cross fader of the DJM-1000.

### 12. RETURN connectors (RETURN 1, 2)

Ø6.3 mm phone type output connectors. Connect to input connectors of external effectors, etc. When only the L channel is connected, the input in the L channel will be input into the R channel.

### 13. EFX link input/output connectors (EFX 1, 2)

When a digital-link cable is used to connect the unit to a PIONEER DJ effector supporting digital linkage (EFX-1000), SEND/RETURN connections are performed at once digitally, and functions such as fader effect are also enabled.

### 14. LINE input connectors

Ø6.3 mm phone type line level connectors. When only the L channel is connected, the input to the L channel will also be input into the R channel.

### 15. CDJ link input connectors (SOUND 1, 2)

When a digital-link cable is used to connect the unit to a PIONEER DJ CD player supporting digital linkage, the digital audio connections and control cable connections are performed at once, and functions such as BPM synchro are also enabled.

### 16. DIGITAL input connectors

RCA type digital coaxial input connectors. Connect to digital coaxial output connectors of DJ CD player, etc.

### 17. SUBMIC input connectors

Ø6.3 mm phone type microphone input connectors. Utilizes the DJM-1000's channels 5 and 6 as microphone input channels.

### 18. CONTROL connectors

Ø3.5 mm mini phone-type input connector for connecting control cable to DJ CD player. Allows use of the DJM-1000's fader function to control start/stop of a connected DJ CD player.

### 19. BOOTH monitor output connectors

Ø 6.3 mm phone type output connectors for booth monitor. Changes the volume with the BOOTH MONITOR dial (LEVEL), unaffected to the MASTER fader (since output is TRS, both balanced and unbalanced outputs are supported).

### 20. Digital output connector (DIGITAL OUT)

RCA type digital coaxial output connector. Digital master output.

### 21. Sampling frequency selector switch (48k/96k)

Chooses the sampling frequency of the digital output (96 kHz or 48 kHz).

### 22. Power inlet connector (AC IN)

Connect to AC outlet plug with the provided power cord.

Before making or changing connections, switch off the power and disconnect the power cord from the AC outlet.

**POWER CORD CONNECTION**

Connect the power cord last.

- When all other connections are completed, connect the supplied power cord to the AC inlet located on the rear panel of this unit, and connect the power plug to an AC outlet or auxiliary power socket on an amplifier.
- Be sure to use only the supplied power cord.

**CONNECTING TO THE INPUT CONNECTORS**

**PIONEER DJ CD players**

Connect the DJ CD player's audio output connectors to one of the sets of CD/LINE input connectors on the DJM-1000, and connect the control cable to the corresponding channel's CONTROL connector. Switch the input selector switch of the connected channel to [CD/LINE].

When using digital connections, connect the digital coaxial output connector to one of the DIGITAL input connectors of the DJM-1000, and switch the input selector switch of the connected channel to [DIGITAL] (no digital input connectors are provided for channel 1 and channel 2).

**Analog turntables**

Connect the audio output cables of the analog turntable to one set of PHONO input connectors on the DJM-1000, and switch the input selector switch of the connected channel to [PHONO]. The PHONO input of the DJM-1000 supports MM cartridges.

The ground cable of an analog turntable is connected to one of the SIGNAL GND terminals.

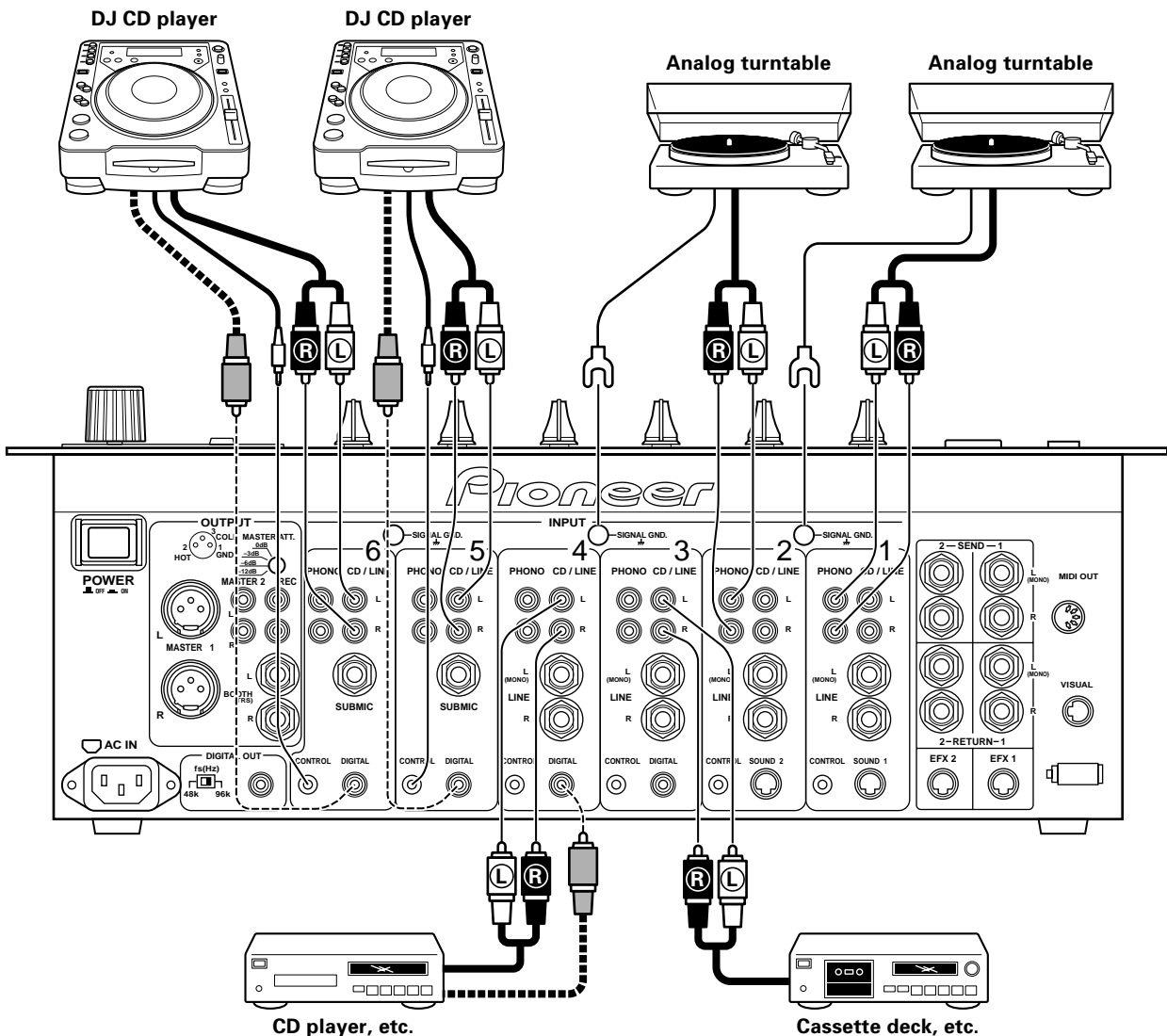
**Other line level output devices**

When connecting cassette decks or CD players, connect the audio output connectors to one of the CD/LINE input connectors of the DJM-1000, and switch the input selector switch of the connected channel to [CD/LINE].

When the connection plug is a Ø6.3 mm phone plug, connect to one of the LINE input connectors of the DJM-1000, and switch the input selector switch of the connected channel to [LINE] (no LINE input connectors are provided for channel 5 and channel 6). When only the L channel is connected, the input in the L channel will be input to the R channel as well.

**Digital output devices**

When using digital connections to devices such as CD players, connect the device's digital coaxial output connector to one of the DIGITAL input connectors of the DJM-1000, and switch the input selector switch of the connected channel to [DIGITAL] (no DIGITAL input connectors are provided for channel 1 and channel 2).



## CONNECTING TO THE EFFECTOR AND OUTPUT CONNECTORS

### Master output

There is an XLR plug correspondent balanced output MASTER 1, and a RCA plug correspondent unbalanced output MASTER 2. Set the output level using the MASTER ATT. dial to match the input sensitivity of the connected power amplifier.

### Booth monitor output

Unbalanced output supporting Ø6.3 mm phone plug. Volume can be adjusted with the BOOTH MONITOR dial (LEVEL), regardless of the setting of the MASTER fader.

### Recording output

Output connectors for recording, supports RCA plug.

### Digital output

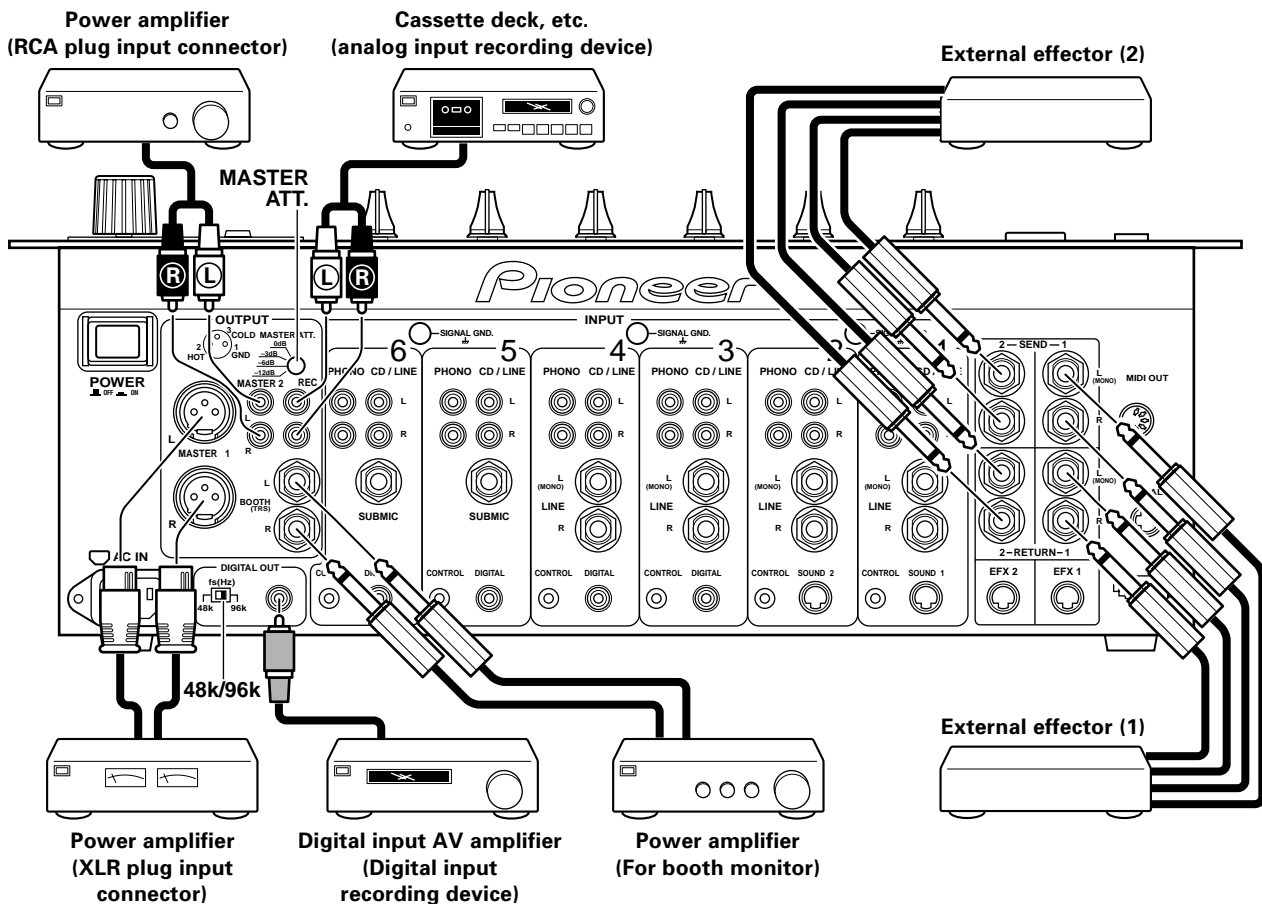
Coaxial digital output connector, supports RCA plug. Sampling frequency can be selected (96 kHz/48 kHz) in accordance with connected device.

### External effector

Use a cable with Ø6.3 mm phone plugs to connect the DJ mixer's SEND connectors to the input connectors of an external effector. When using a monaural input effector, connect only the L channel output. In this way, the mixed L/R audio signal will be sent to the effector.

In the same way, use a cable with Ø6.3 mm phone plugs to connect the DJ mixer's RETURN connectors to the output connectors of the external effector.

When the effector has only monaural output, connect the L channel input only. In this way, the signal from the effector will be input to both L/R channels.



## MIDI CONNECTORS

MIDI (Musical Instrument Digital Interface) is a unified standard for transmitting data between electrical musical instruments and computers.

Data can be transmitted between devices with MIDI connectors using a MIDI cable.

The DJM-1000 can send operating data to external MIDI devices using the MIDI protocol.

DJM-1000 control	MIDI control code	MIDI control name	MIDI Channel
Cross fader operation	CC11	Expression	1

\* 0-127 MIDI data is output by operating the cross fader.

\* When using the visual link function, MIDI data is not output.

## CONNECTING MICROPHONES, HEADPHONES

### Headphones

Headphones with Ø6.3 mm stereo phone plugs can be connected to the PHONES plug in the operation panel (top panel).

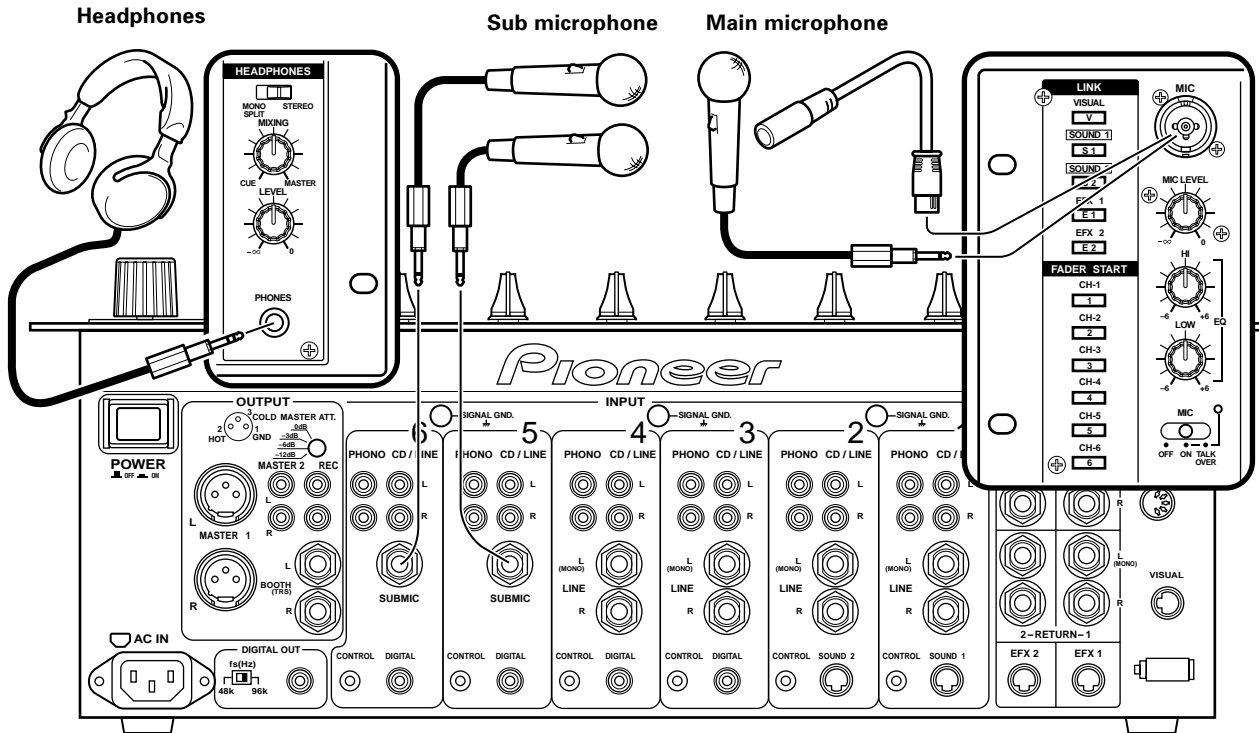
### Main microphone

A microphone with either a Ø6.3 mm phone plug or XLR plug can be connected to the MIC plug in the operation panel (top panel).

### Sub microphone

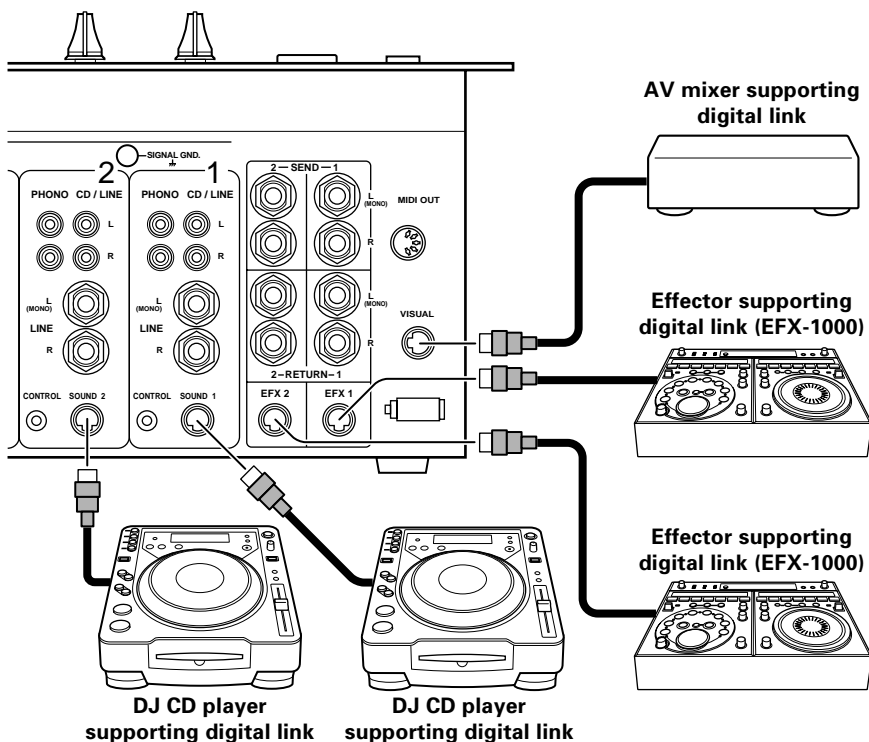
A Ø6.3 mm phone plug microphone can be connected to the SUBMIC input connectors on channel 5 and channel 6 of the DJM-1000.

Switch the input selector switch of the connected channel to [SUBMIC].



## DIGITAL LINK CONNECTIONS

(Includes connections to future components supporting digital link.)



By connecting a single dedicated cable (digital link cable), exchange of audio signals and control signals can be performed digitally (The connection of audio cables or control cables is unneeded).

### VISUAL link connector

When a digital link cable is used to connect the unit to a PIONEER video mixer (switcher) supporting digital linkage, the cross fader function of the video mixer can be operated by using the cross fader of the DJM-1000. (P.15)

### EFX link input/output connectors (EFX 1, 2)

When a digital link cable is used to connect the unit to a PIONEER DJ effector supporting digital linkage (EFX-1000), SEND/RETURN connections are performed at once digitally, thus allowing the use of fader effect functions and BPM sync functions when sound link connections are used. (P.15)

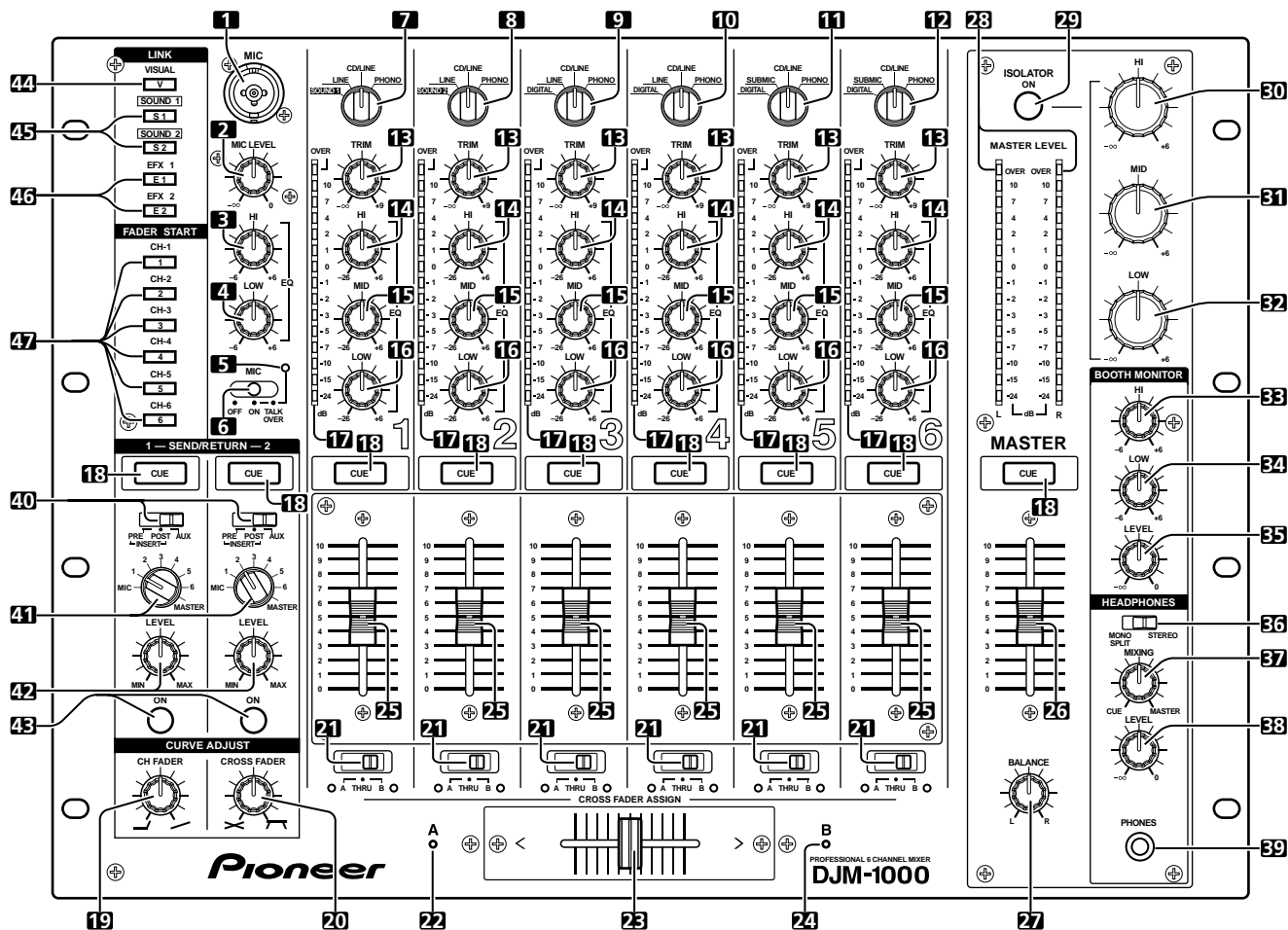
### CDJ link input connectors (SOUND 1, 2)

When a digital link cable is used to connect the unit to a PIONEER DJ CD player supporting digital linkage, digital audio connections and control cable functions are performed at once, and functions such as BPM synchro are also enabled. Switch the input selector switch of the channel 1 and 2 to [SOUND 1] and [SOUND 2]. (P.15)



# PART NAMES AND FUNCTIONS

## Operation Panel



### Main microphone input control section

#### 1. Main MIC input connector

Connect to microphones with XLR type or phone type connector.

#### 2. MIC LEVEL adjustment dial

Adjusts the volume of the main microphone.  
(Adjustable range:  $-\infty$  to 0 dB)

#### 3. Microphone equalizer high-range sound adjust dial (EQ HI)

Adjusts the high-range sound of the main microphone.  
(Adjustable range:  $-6$  dB to  $+6$  dB)

#### 4. Mic equalizer low-range sound adjust dial (EQ LOW)

Adjusts the low-range sound of the main microphone.  
(Adjustable range:  $-6$  dB to  $+6$  dB)

#### 5. Microphone function indicator

Lights when MIC selector switch is set to [ON]. Flashes when selector switch is set to [TALK OVER].

#### 6. MIC function selector switch

##### OFF:

Main microphone audio is not output.

##### ON:

Main microphone audio is output.

##### TALK OVER:

Main microphone audio is output. When a sound is input to the main microphone input, the TALK OVER function operates and the output of all sound except for the main microphone audio is attenuated 20 dB.

### Channel input control section

#### 7. Channel 1 input selector switch

##### SOUND 1:

Dedicated input for DJ CD players supporting digital link (mini DIN connector).

##### LINE:

Phone type connector (When a monaural signal is connected to only the L channel, the signal is input to both L and R channels).

##### CD/LINE:

RCA type connector with line level input.

##### PHONO:

RCA type connector with phono level input.

**8. Channel 2 input selector switch**

**SOUND 2:**

Dedicated input for DJ CD players supporting digital link (mini DIN connector).

**LINE:**

Phone type connector (when a monaural signal is connected to only the L channel, the signal is input to both L and R channels).

**CD/LINE:**

RCA type connector with line level input.

**PHONO:**

RCA type connector with phono level input.

**9. Channel 3 input selector switch**

**DIGITAL:**

RCA type connector with coaxial cable digital input.

**LINE:**

Phone type connector (when a monaural signal is connected to only the L channel, the signal is input to both L and R channels).

**CD/LINE:**

RCA type connector with line level input.

**PHONO:**

RCA type connector with phono level input.

**10. Channel 4 input selector switch**

**DIGITAL:**

RCA type connector for coaxial cable digital input.

**LINE:**

Phone type connector (when a monaural signal is connected to only the L channel, the signal is input to both L and R channels).

**CD/LINE:**

RCA type connector with line level input.

**PHONO:**

RCA type connector with phono level input.

**11. Channel 5 input selector switch**

**DIGITAL:**

RCA type connector for coaxial cable digital input.

**SUBMIC:**

Phone type connector for sub microphone input (monaural).

**CD/LINE:**

RCA type connector with line level input.

**PHONO:**

RCA type connector with phono level input.

**12. Channel 6 input selector switch**

**DIGITAL:**

RCA type connector for coaxial cable digital input.

**SUBMIC:**

Phone type connector for sub microphone input (monaural).

**CD/LINE:**

RCA type connector with line level input.

**PHONO:**

RCA type connector with phono level input.

**13. Channel 1-6 TRIM adjustment dials**

Adjusts each channel's input level.

(Adjustable range:  $-\infty$  to +9 dB, approaches 0 dB at mid-point)

**14. Channel equalizer high-range sound adjust dials (EQ HI)**

Adjusts each channel's high-range sound. (Adjustable range: -26 dB to +6 dB)

**15. Channel equalizer mid-range sound adjust dials (EQ MID)**

Adjusts each channel's mid-range sound. (Adjustable range: -26 dB to +6 dB)

**16. Channel equalizer low-range sound adjust dials (EQ LOW)**

Adjusts each channel's low-range sound. (Adjustable range: -26 dB to +6 dB)

**17. Channel level indicators**

Displays each channel level. The display provides 2 seconds peak hold.

**18. Headphone CUE button/indicators**

The selected source to be monitored by headphones is chosen by pressing the CUE button for RETURN 1, RETURN 2, channel 1-6, or MASTER. When multiple buttons are pressed at once, the selected audio sounds are mixed. When a button is pressed again, the selection is canceled. The buttons of unselected sources light dimly, and the buttons of the selected sources light brightly.

**Fader control section**

**19. Curve adjust channel fader dial (CURVE ADJUST CH FADER)**

Adjusts the curve characteristics of the channel fader. (P.13)

**20. Curve adjust cross fader dial (CURVE ADJUST CROSS FADER)**

Adjusts the curve characteristics of the cross fader. (P.13)

**21. CROSS FADER ASSIGN switches/indicators**

Selects which side of the cross fader the output from each channel is directed to. (When multiple channels have been selected in the same side, the combined sum is assigned to that side.)

**A:**

The channel output is directed to the A side (left side) of the cross fader. The A indicator will light.

**THRU:**

The channel output is directed to the master output without going through the cross fader. Both A and B indicators will go out.

**B:**

The channel output is directed to the B side (right side) of the cross fader. The B indicator will light.

**22. Cross fader assign A indicator (A)**

Lights orange when power is ON.

**23. Cross fader slider**

The audio directed to either the A side or B side by the CROSS FADER ASSIGN switch for each channel is output in accordance with the cross fader curve set by the CURVE ADJUST dial (CROSS FADER).

**24. Cross fader assign B indicator (B)**

Lights green when power is ON.

**25. Channel fader slider**

Adjusts volume of each channel.

(Adjustable range:  $-\infty$  to 0 dB)

Outputs according to the channel fader curve set by the CURVE ADJUST dial (CH FADER).

**Master output control section****26. MASTER fader slider**

Adjusts the volume of the master output.

(Adjustable range:  $-\infty$  to 0 dB)

The master output is the combination of the channel whose audio has been set to [THRU] by the CROSS FADER ASSIGN switch, together with the audio passed through the cross fader and the audio from the main microphone (depending on the mode, RETURN input will also be added).

**27. MASTER BALANCE dial**

Adjusts the L/R channel balance of the master output, booth monitor output, recording output, and digital output.

**28. MASTER LEVEL indicators (L, R)**

Displays output levels of the L channel and the R channel. Each segment provides 2 seconds of peak hold.

**29. MASTER ISOLATOR button/indicator (ON)**

Turns master isolator function ON/OFF.

The isolator function operates with respect to master output 1, master output 2, booth monitor output, recording output and digital output.

Turns off when OFF, and lights when ON.

**30. MASTER ISOLATOR high-range sound adjust dial (HI)**

Use to adjust the high-range sound of the master output signal.

(Adjustable range:  $-\infty$  to +6 dB)

**31. MASTER ISOLATOR mid-range sound adjust dial (MID)**

Used to adjust the mid-range sound of the master output signal.

(Adjustable range:  $-\infty$  to +6 dB)

**32. MASTER ISOLATOR low-range sound adjust dial (LOW)**

Used to adjust the low-range sound of the master output signal.

(Adjustable range:  $-\infty$  to +6 dB)

**Booth monitor control section****33. BOOTH MONITOR equalizer high-range sound adjust dial (HI)**

Used to adjust the high-range sound of the booth monitor output signal.

(Adjustable range: -6 dB to +6 dB)

**34. BOOTH MONITOR equalizer low-range sound adjust dial (LOW)**

Used to adjust the low-range sound of the booth monitor output signal.

(Adjustable range: -6dB to +6 dB)

**35. BOOTH MONITOR LEVEL adjust dial**

Adjusts the volume of the booth monitor output.

Adjustable regardless of setting of master fader.

(Adjustable range:  $-\infty$  to 0 dB)

**Headphone output section****36. Headphone output selector switch (HEADPHONES — MONO SPLIT/STEREO)****MONO SPLIT:**

The audio source selected by the headphone CUE button is output from the left channel, and the master audio is output from the right channel (Only when MASTER is selected with the headphone CUE button).

**STEREO:**

The selected audio is output in stereo.

**37. Headphone MIXING dial (HEADPHONES MIXING)**

When turned clockwise (MASTER direction) the master output audio is output (only when MASTER is selected with the headphone CUE button); when turned counterclockwise (CUE direction), the audio output will be a mixture of the sound from the channel selected with the headphone CUE button, and the sound coming from the external effector (RETURN).

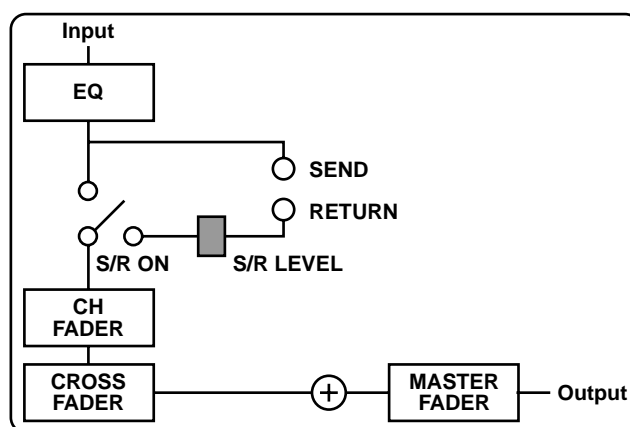
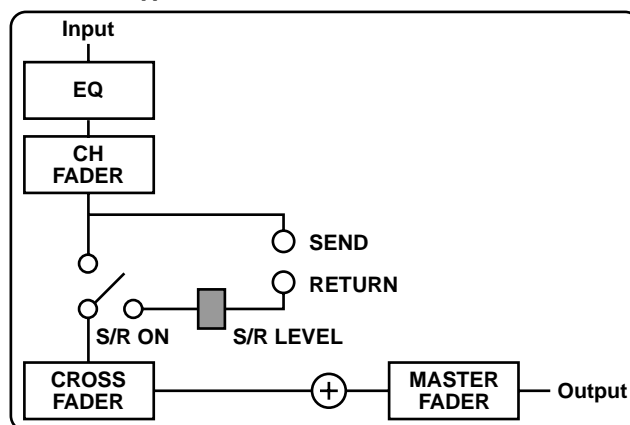
**38. Headphone LEVEL adjust dial (HEADPHONES LEVEL)**

Adjusts the output volume of the headphone connector.

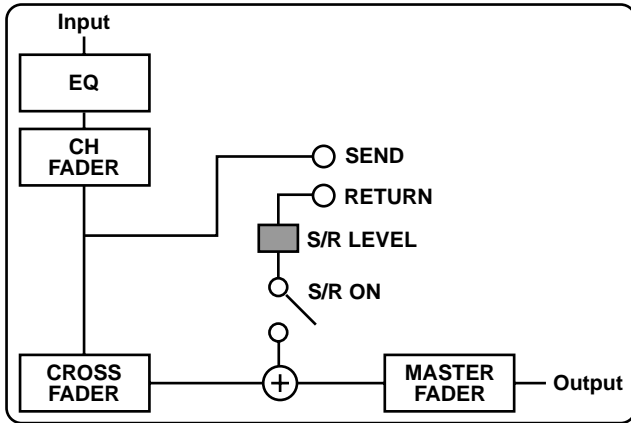
(Adjustable range:  $-\infty$  to 0 dB)

**39. Headphone jack (PHONES)****SEND/RETURN section****40. SEND/RETURN type selector switches**

Use to switch between the sending stage (SEND) and input stage (RETURN) for signals when connected to an external effector (P.14).

**[Pre-Insert type]****[Post-Insert type]**

[AUX type]



**41. SEND channel selector switches**

Use to select the send audio from MIC, channels 1-6, and MASTER.

**42. RETURN input level adjust dials (LEVEL)**

Adjusts the level of the signal returned.

(Adjustable range:  $-\infty$  to +6 dB)

**43. SEND/RETURN buttons/indicators (ON)**

Use to switch ON/OFF the SEND/RETURN operation of the selected type on the selected channel.

Lights when a plug is inserted to the RETURN connector, or when a component supporting digital link is connected to the EFX connector. If the button is pressed when lighted, the function turns ON and the indicator flashes. When indicator is ON, input signal to RETURN connector is enabled. When a digital-link component is connected to the EFX connector, the digital link component (digital signal) is given priority.

**Link function ON/OFF section**

**44. VISUAL LINK button/Indicator (V)**

When a digital link cable (mini DIN connector) is used to connect a PIONEER video mixer/switcher supporting digital link, the video mixer's cross fader can be operated using the cross fader of the DJM-1000.

The indicator lights when the function is turned ON.

**45. SOUND LINK buttons 1, 2 (SOUND 1, 2)/indicator (S1, 2)**

When this unit is connected via digital link to a PIONEER DJ effector with digital link support (EFX-1000), and a PIONEER DJ CD player with digital link support is also connected via digital link cable (mini DIN connector), setting these buttons to ON enables BPM sync functions.

The indicator lights when the function is turned ON.

**46. Effector LINK buttons 1, 2 (EFX 1, 2)/Indicator (E 1, 2)**

When a digital link cable (mini DIN connector) is used to connect this unit to a PIONEER DJ effector with digital link support (EFX-1000), setting these buttons to ON enables fader effect functions.

The indicator lights when the function is turned ON.

**Fader start/stop ON/OFF section**

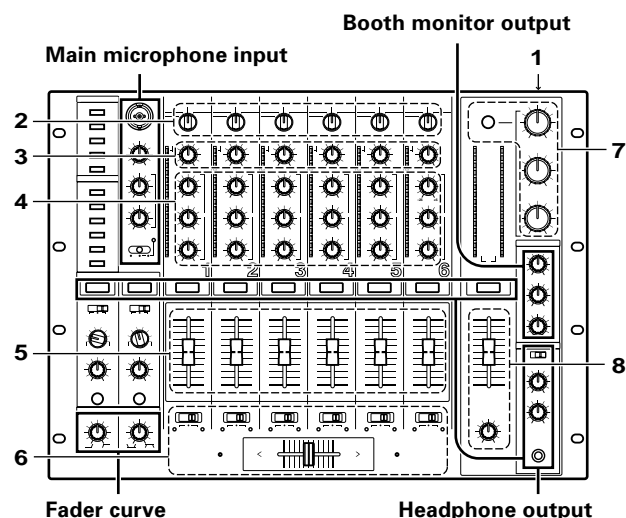
**47. Fader start button/indicators (FADER START CH-1 to CH-6)**

When the CROSS FADER ASSIGN switches for each channel are used to select [A] or [B], the cross fader start/stop function of that channel's DJ CD player are turned ON/OFF.

When [THRU] is selected by the CROSS FADER ASSIGN switch for each channel, the channel fader start/stop function for that channel's DJ CD player is turned ON/OFF. The button for each channel lights up when the fader start/stop function is turned ON, and is turned off when the fader start/stop function is turned OFF.

# OPERATIONS

## BASIC OPERATIONS



1. Set the **POWER** switch located on the rear panel (connection panel) to **ON**.
2. Set the input selector switches for the channels used to the devices connected to those channels.
3. Use the **TRIM** dial to adjust the input level.
4. Adjust the tone using the **EQ** dials (**HI**, **MID**, **LOW**).
5. Adjust the volume of the channel with the channel fader slider.
6. When cross fading between channels, use the **CROSS FADER ASSIGN** switch to choose between channel [A] and channel [B] of the cross fader, and operate the cross fader.
  - When not using the cross fader, choose [THRU] with the **CROSS FADER ASSIGN** switches.
7. When using the isolator, switch the **MASTER ISOLATOR** button **ON**, and adjust the level of each bandwidth with the **MASTER ISOLATOR** dials (**HI**, **MID**, **LOW**).
  - The **MASTER ISOLATOR** button will light when switched **ON**.
8. Use the **MASTER** fader slider to adjust the overall volume, and adjust the left and right volume balance by using the **MASTER BALANCE** dial.

### [Main microphone input]

1. When using the main microphone, either set the **MIC** selector switch to [ON] or set to [TALK OVER].
  - When set to [TALK OVER], the output of all sound except for the main microphone audio is attenuated 20 dB when a sound higher than -15 dB is input to the main microphone input.
2. Adjust the volume with the **MIC LEVEL** dial, and adjust the tone with the **MIC EQ** dials (**HI**, **LOW**).

### [Booth monitor output]

1. Adjust the volume with the **BOOTH MONITOR** dial (**LEVEL**).
  - The volume can be adjusted with the **BOOTH MONITOR** dial (**LEVEL**), regardless of the setting of the **MASTER** fader slider.
2. Adjust the tone using the **BOOTH MONITOR** dial (**HI** "high-range sound") and **BOOTH MONITOR** dial (**LOW** "low-range sound").

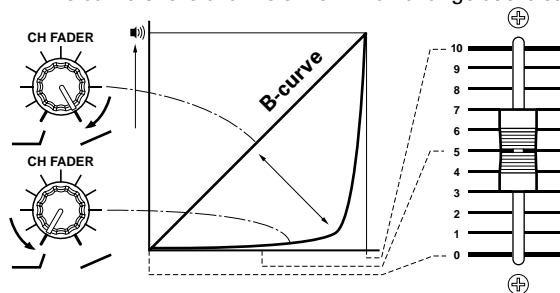
### [Headphones output]

1. Choose the source with the headphone **CUE** button (channel 1-6, **MASTER**, **RETURN 1**, **RETURN 2**).
  - The chosen headphone **CUE** button will light brightly.
2. Use the **HEADPHONES** selector switch (**MONO SPLIT/STEREO**) to select the format of the audio output.
  - When [MONO SPLIT] is chosen, the audio chosen with the **CUE** button will be output from the left channel, and the master audio (enabled only when the **CUE** button for the **MASTER** is turned **ON**) will be output from the right channel.
  - When [STEREO] is chosen, the audio chosen with the **CUE** button will be output in stereo.
3. When [MONO SPRT] is chosen, use the **HEADPHONES** dial (**MIXING**) to adjust the balance of the left channel (chosen by the headphone **CUE** button), and the right channel (master audio—supported only when the headphone **CUE** button for **MASTER** is turned **ON**).
  - When turned clockwise (**MASTER** direction) the master output (only when **CUE** button for **MASTER** is turned **ON**) will be output, and when turned counterclockwise (**CUE** direction) the audio chosen by the **CUE** button will be output.
4. Adjust the volume of the headphones with the **HEADPHONES** dial (**LEVEL**).

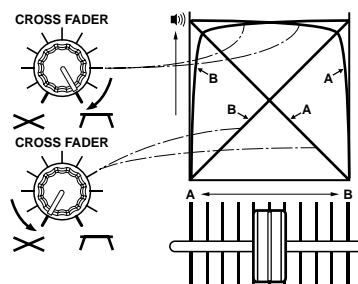
## FADER CURVE ADJUSTMENTS

This allows adjustment of the sound volume change characteristics corresponding to the movement of the fader operation.

- Turn the **CURVE ADJUST** dial (**CH FADER**), and adjust the curve characteristics of the channel fader.
  - When turned fully to the right, raising the fader will cause the volume to change in a nearly linear fashion (equivalent to B-curve).
  - When turned fully to the left, the volume curve will change so that sound volume increases slowly until the fader is raised almost fully.
  - The curve of the channels 1-6 will all change at the same time.



- Turn the **CURVE ADJUST** dial (**CROSS FADER**), and adjust the curve characteristics of the cross fader.
  - When turned all the way to the right, the cross fader becomes a steep rising curve in which moving the fader from the side causes instant appearance of the sound on the opposite side.
  - When turned all the way to the left, the cross fader becomes an almost linear volume change curve.
  - Both curves of the A and B side will change at once.



## FADER START FUNCTION

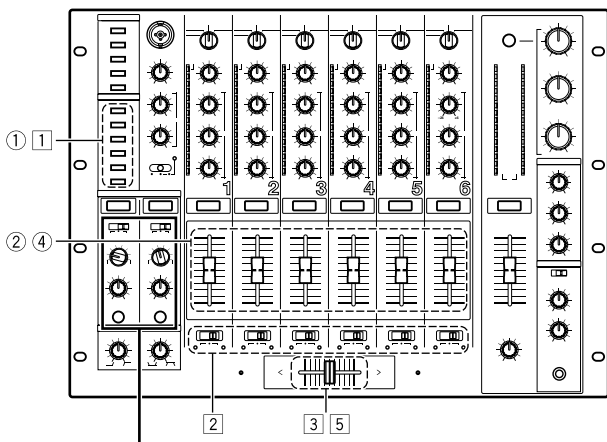
By using a control cable to connect the unit to an optional PIONEER CD player, playback on the CD player can be started using the channel fader or cross fader functions (if a digital link connection is made, use of the control cable is unnecessary).

The CD player's pause function is canceled when the mixer's channel fader slider or cross fader slider is moved, and the playback of the track starts automatically and instantly. In addition, by returning the fader to its former position, the CD player's playback can be returned back to the cue point (back cue), so that sampler-like playback can be performed.

### [Cross fader start play & back cue play]

During cue point standby on the CD player assigned to channel A of the cross fader, moving the cross fader slider from the right side (B side) to the left side (A side) causes the CD player connected to channel A to start playback. When the cross fader slider reaches the left side (A side), the CD player assigned to channel B will back cue (return to cue point). When the CD player assigned to channel B is in cue point standby mode, moving the cross fader slider from the left side (A side) to the right side (B side), causes playback on the CD player assigned to channel B to begin. When the cross fader slider reaches the right side (B side), the CD player assigned to channel A will back cue.

\* Back cue will occur even if the input selector switch is not set to [CD/LINE].



External effector

### [Starting playback with channel fader]

- 1 Press the **FADER START** button for the channel (CH-1 to CH-6) connected to the CD player you wish to control.
  - The button of the selected channel will light.
- 2 Move the **channel fader slider** to the [0] position.
- 3 Set a **cue point** in the CD player, and set to **standby at cue point**.
  - If a cue point has already been set, the CD player does not have to be set to standby at the cue point.
- 4 Move **channel fader slider** at the desired timing to start playback.
  - CD player will start playback.
  - After playback has started, moving the channel fader slider back to [0] causes the CD player to return to cue point and enter standby mode (back cue).

\* Channel fader is enabled for control only when **CROSS FADER ASSIGN** switch is set to [THRU].

### [Starting playback with cross fader]

- 1 Press the **FADER START** button for the channel (CH-1 to CH-6) connected to the CD player you wish to control.
    - The button of the selected channel will light.
  - 2 Set the **CROSS FADER ASSIGN** switch of the selected channel to either [A] or [B].
    - When assigning to channel A (left side) of the cross fader, set to [A].
    - When assigning to channel B (right side) of the cross fader, set to [B].
  - 3 Move the **cross fader slider** as far as it will go to the **opposite side of the channel you wish to start**.
  - 4 Set a **cue point** on the CD player, and set to **standby at the cue point**.
    - If a cue point has already been set, the CD player does not have to be set to standby at the cue point.
  - 5 Move the **cross fader slider** at the desired timing to start playback.
    - CD player will start playback.
    - After playback has started, by moving the cross fader slider all the way, the CD player assigned at the opposite side will return to cue point and enter standby mode (back cue).
- \* The fader start function may not operate properly when digital connections are made alone. In this event, connect the CD player's analog connectors as well.

## USING EXTERNAL EFFECTORS

Two effectors can be connected if desired.

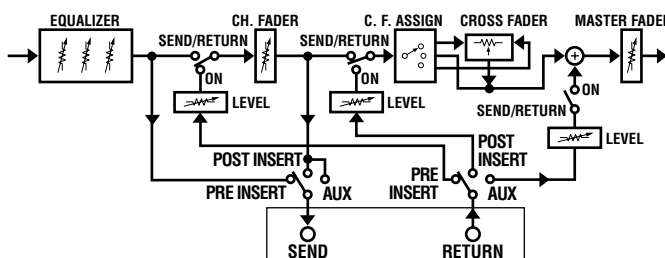
1. Use the **SEND** channel selector switch to choose the source to be sent to the effector.
  - Select from either [MIC], channel [1]-[6], or [MASTER].
2. Use the **SEND/RETURN** selector switch to choose the stage to which the effector is connected.
  - When the send channel is set to [MIC], [INSERT] and [AUX] switching only are enabled from the same point for both [PRE] and [POST]. When send channel is set to [MASTER], only [INSERT] is enabled.

**PRE INSERT:**  
Equalizer output, sent from before the channel fader and returned to same point.

**POST INSERT:**  
Channel fader output, sent from before the cross fader assign, and returned to the same point.

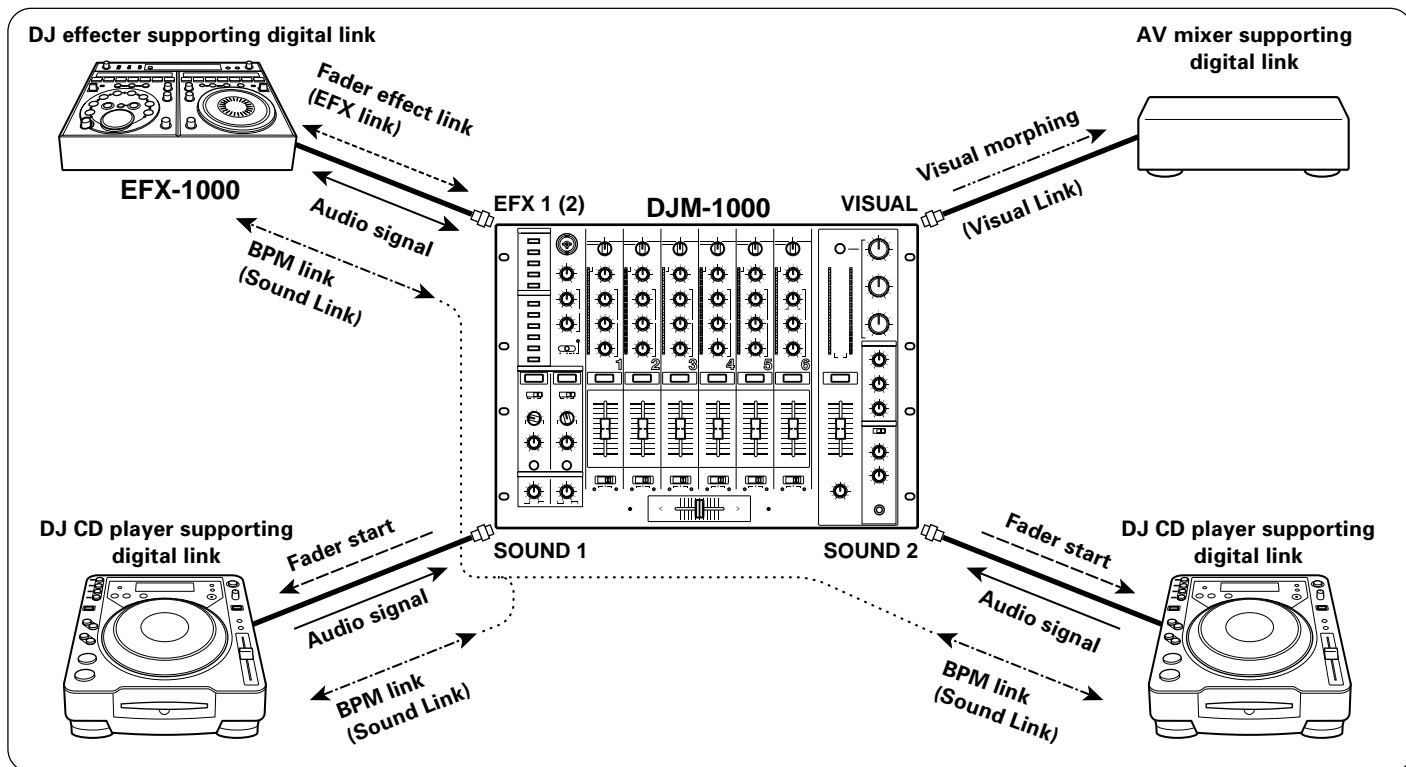
**AUX:**  
Channel fader output, sent from before the cross fader assign and returned to the point before the master fader, and then added to any other output. The original sound which has been sent will also be passed through the cross fader assign and added.
3. Set the **SEND/RETURN** button to ON.
  - The SEND/RETURN button flashes.
4. Adjust the **RETURN** volume with the **RETURN** dial (LEVEL).

Source	Position		
	PRE INSERT	POST INSERT	AUX
MIC	INSERT		AUX
CH-1 — CH-6	PRE	POST	AUX
MASTER	INSERT		



# DIGITAL LINK FUNCTION

## Link system diagram



### Digital link connections for EFX-1000

Use a digital link cable to connect a PIONEER DJ effector (EFX-1000) to the EFX 1 or 2 connectors of this unit.

This link provides a high-fidelity digital connection and enables use of the EFX-1000's effects functions.

Operations following connection are the same as those when "USING EXTERNAL EFFECTORS" (P.14). If the SEND/RETURN connectors (phone plug cable) are connected simultaneously, the EFX link input/output connection (via the digital link cable) is automatically given priority.

For more information regarding settings, consult the EFX-1000 Operating Instructions.

### Fader effect link (EFX Link)

When the connections described above have been made, moving the channel fader slider produces the same effects as when operating the EFX-1000's jog dial.

1. Set EFX-1000's digital jog break to ON.
2. Use the SEND channel selector switches to select the channel to be used for fader effects (channel [1]-[6] can be selected).
3. Set the effector LINK buttons (EFX 1, 2) to ON.

- The effector LINK buttons will light.

Note: The sound volume for the channel selected will become the same as that set with the maximum channel fader; as a result, make your selection after confirming the level of sound produced when the channel fader is set to maximum.

4. Turn the SEND/RETURN button ON.
  - The SEND/RETURN button will flash.
5. Operate the fader for the selected channel.
  - The EFX-1000's digital jog break meter and sound will change in response to the position of the channel fader.
  - When the selected channel is assigned to the cross fader, the effect sound will change in accordance with the position of the cross fader.
  - When the SEND channel selector switch setting is changed, the fader effect link is canceled, and the effector LINK button indicator goes out.

### Digital link connections for the digital link DJ CD player

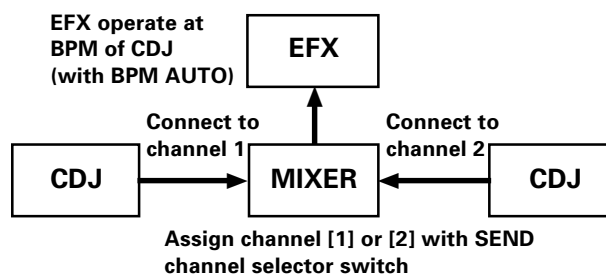
A digital link cable can be used to connect a digital link DJ CD player to the SOUND 1, 2 connectors of this unit.

This link provides a high-fidelity digital connection for mixing of sounds from the DJ CD player.

The fader start function is also enabled by means of this single digital link.

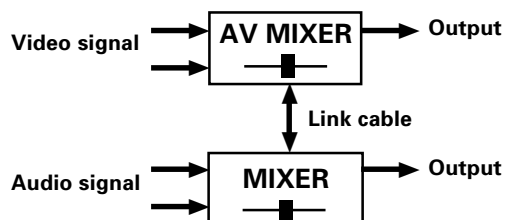
### BPM link (Sound Link)

When a digital link cable is used to connect a supported DJ CD player to the SOUND 1, 2 connectors, and the DJ effector EFX-1000 is connected via digital link cable to the EFX 1 or 2 connectors, the effects can be added at the more accurate BPM value measured with the DJ CD player.



### Visual morphing (Visual Link)

When a digital link cable is used to connect the DJ mixer's VISUAL connector to an AV mixer supporting digital link (and with the link function enabled), the AV mixer's cross fader can be moved automatically in linkage with the cross fader of the DJ mixer, thus allowing both audio and video to be modified together.



# TROUBLESHOOTING

Incorrect operations are often mistaken for trouble and malfunctions. If you think there is something wrong with this component, check the points below. Sometimes the trouble may originate from another component. Thus, also check the other electrical appliances also in use.

If the trouble cannot be rectified even after checking the following items, contact your dealer or nearest PIONEER service center.

Symptom	Possible Cause	Countermeasure
Power does not turn on.	<ul style="list-style-type: none"> <li>The power cord has not been connected.</li> </ul>	<ul style="list-style-type: none"> <li>Connect the cord to a power outlet.</li> </ul>
Little or no sound.	<ul style="list-style-type: none"> <li>Input selector switch is in the wrong position.</li> <li>Connection cable hasn't been connected properly or has been disconnected.</li> <li>Connector or plug is dirty.</li> <li>MASTER ATT. dial on rear panel is set too low ([-12 dB], etc.).</li> </ul>	<ul style="list-style-type: none"> <li>Choose the device currently playing with the input selector switch.</li> <li>Connect properly.</li> <li>Clean and reconnect.</li> <li>Adjust the setting of the MASTER ATT. dial in the rear panel.</li> </ul>
Sound is distorted.	<ul style="list-style-type: none"> <li>Master output level is too high.</li> <li>Input level is too high.</li> </ul>	<ul style="list-style-type: none"> <li>Adjust the MASTER ATT. dial in the rear panel.</li> <li>Adjust the TRIM dial so that the input level approaches 0 dB on the CHANNEL LEVEL indicators.</li> </ul>
Cannot cross fade.	<ul style="list-style-type: none"> <li>The setting of the CROSS FADER ASSIGN switch ([A], [THRU], [B]) is incorrect.</li> </ul>	<ul style="list-style-type: none"> <li>Set the CROSS FADER ASSIGN switch of the channel desired to cross fade properly.</li> </ul>
Cannot fader start the CD player.	<ul style="list-style-type: none"> <li>The fader start switch is set to OFF.</li> <li>The rear panel's player CONTROL connector hasn't been connected.</li> </ul>	<ul style="list-style-type: none"> <li>Set the fader start switch to ON.</li> <li>Use the control cable to connect the unit and CD player.</li> </ul>
External effector's sound is distorted.	<ul style="list-style-type: none"> <li>The input level from the external effector is too high.</li> </ul>	<ul style="list-style-type: none"> <li>Lower the external effector's output level, or adjust the return level using the RETURN dial (LEVEL).</li> </ul>
External effector doesn't operate.	<ul style="list-style-type: none"> <li>The SEND/RETURN button is turned OFF.</li> <li>The effector is not connected to the RETURN connector or EFX connector located in the rear panel.</li> <li>The SEND channel selector switch setting is mistaken.</li> </ul>	<ul style="list-style-type: none"> <li>Turn the SEND/RETURN button ON.</li> <li>Connect the effector to either the SEND/RETURN connector or the EFX 1 or EFX 2 connectors in the rear panel.</li> <li>Select the source to which you want to apply effects with the SEND channel selector switch.</li> </ul>
Link function doesn't work.	<ul style="list-style-type: none"> <li>A device supporting digital link is not connected to the digital link connectors (EFX 1, EFX 2, SOUND 1, SOUND 2, VISUAL) in the rear panel.</li> </ul>	<ul style="list-style-type: none"> <li>Use a digital link cable to connect the DJM-1000 to a supported device.</li> </ul>

Static electricity or other external interference may cause the unit to malfunction. To restore normal operation, turn the power off and then on again.

Check the following items if the link connection is not established properly:

CAUTION Indicators	Meaning	Countermeasure
Each link indicator flashes twice.	Unsupported components are connected at the link input/output connectors.	Check the connections at the link input/output connectors.
Each link indicator flashes three times.	The link connectors of a single DJM-1000 are connected together, or the link connectors from two DJM-1000s are connected together.	Check connections.
Each link indicator flashes four times.	Communication error occurred at the link input/output connectors.	Check connections and connector cables.



# SPECIFICATIONS

## 1. General Specifications

Power supply voltage	AC 120 V, 60 Hz
Power consumption	63 W
Operating temperature	+5 °C to +35°C (+41 °F to +95°F)
Operating humidity	5 % to 85 % (no condensation)
Weight	12.1 kg (26 lb 11 oz)
External dimensions	482 (W) x 359.3 (D) x 187.5 (H) mm (19 (W) x 14-5/32 (D) x 7-3/8 (H) in)

## 2. Audio Section

Sampling rate	96 kHz
A/D, D/A converter	24 bits
Frequency response	20 Hz to 20 kHz
S/N ratio (at full scale)	
LINE	105 dB
PHONO	88 dB
MIC	84 dB
Distortion (LINE-MASTER1)	0.005 %
Headroom	19 dB
Input level	
PHONO	-52 dBu (47 kΩ)
MIC, SUBMIC	-52 dBu (3 kΩ)
CD/LINE, LINE	-12 dBu (22 kΩ)
RETURN	-12 dBu (22 kΩ)
Output level	
MASTER1	+2 dBu (600 Ω)
MASTER2	+2 dBu (10 kΩ)
REC	-8 dBu (10 kΩ)
BOOTH	+2 dBu (600 Ω)
SEND	-12 dBu (10 kΩ)
PHONES	+8.5 dBu (32 Ω)
Crosstalk (LINE)	88 dB
Channels	6
Channel equalizer	
HI	-26 dB to +6 dB (13 kHz)
MID	-26 dB to +6 dB (1 kHz)
LOW	-26 dB to +6 dB (70 Hz)
Microphone equalizer	
HI	-6 dB to +6 dB (10 kHz)
LOW	-6 dB to +6 dB (100 Hz)
Booth monitor equalizer	
HI	-6 dB to +6 dB (10 kHz)
LOW	-6 dB to +6 dB (100 Hz)

## 3. Input output connectors

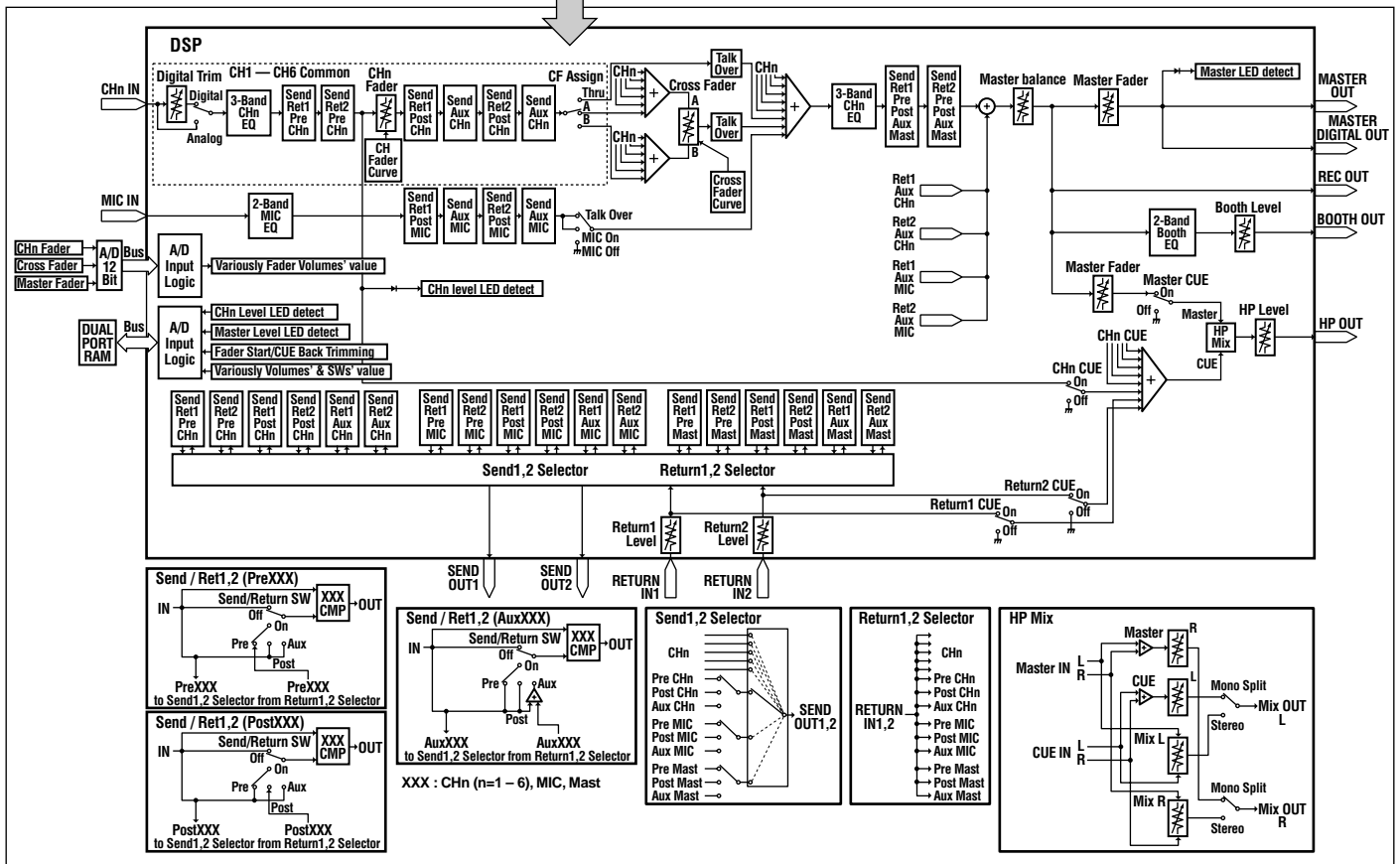
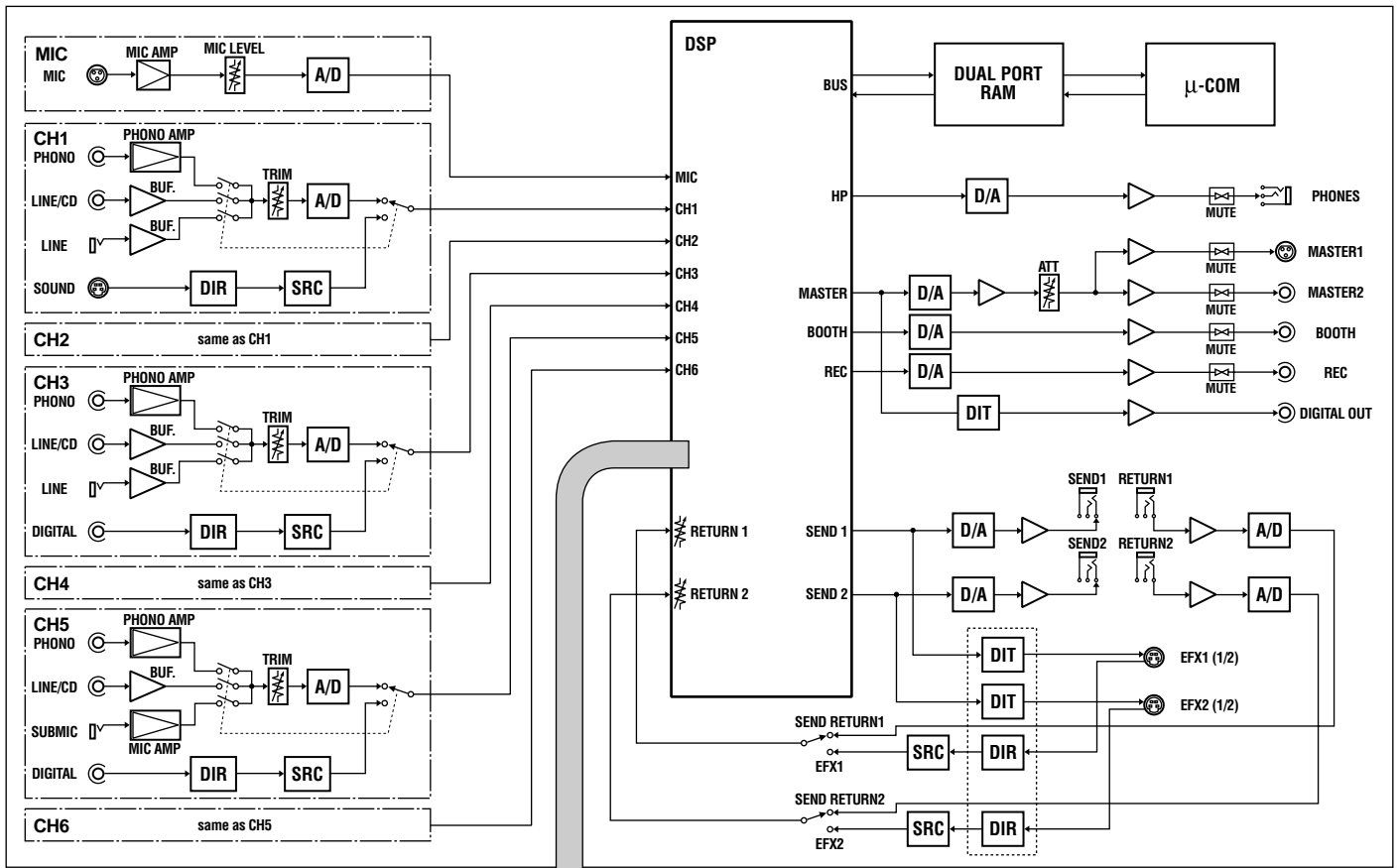
PHONO input connectors	
RCA pin jack	6
CD/LINE, LINE input connectors	
RCA pin jack	6
Phone jack (Ø6.3 mm)	4
MIC, SUBMIC input connectors	
XLR connector/Phone jack (Ø6.3 mm)	1
Phone jack (Ø6.3 mm)	2
DIGITAL coaxial input connectors	
RCA pin jack	4
RETURN input connectors	
Phone jack (Ø6.3 mm)	2
MASTER output connectors	
XLR connector	1
RCA pin jack	1
BOOTH output connectors	
RCA pin jack	1
REC output connectors	
RCA pin jack	1
SEND output connectors	
Phone jack (Ø6.3 mm)	2
DIGITAL coaxial output connector	
RCA pin jack	1
Digital link connectors (EFX 1, 2, SOUND 1, 2, VISUAL)	
Mini DIN	5
MIDI OUT connector	
5P DIN	1

## 4. Accessories

Operating instructions	1
Power cord	1
Warranty	1

Appearance and specifications are subject to change without notice.

# BLOCK DIAGRAM







*Dear Customer:*

Selecting fine audio equipment such as the unit you've just purchased is only the start of your musical enjoyment. Now it's time to consider how you can maximize the fun and excitement your equipment offers. This manufacturer and the Electronic Industries Association's Consumer Electronics Group want you to get the most out of your equipment by playing it at a safe level. One that lets the sound come through loud and clear without annoying blaring or distortion-and, most importantly, without affecting your sensitive hearing.

Sound can be deceiving. Over time your hearing "comfort level" adapts to higher volumes of sound. So what sounds "normal" can actually be loud and harmful to your hearing. Guard against this by setting your equipment at a safe level BEFORE your hearing adapts.

**To establish a safe level:**

- Start your volume control at a low setting.
- Slowly increase the sound until you can hear it comfortably and clearly, and without distortion.

**Once you have established a comfortable sound level:**

- Set the dial and leave it there.

Taking a minute to do this now will help to prevent hearing damage or loss in the future. After all, we want you listening for a lifetime.

**We Want You Listening For A Lifetime**

Used wisely, your new sound equipment will provide a lifetime of fun and enjoyment. Since hearing damage from loud noise is often undetectable until it is too late, this manufacturer and the Electronic Industries Association's Consumer Electronics Group recommend you avoid prolonged exposure to excessive noise. This list of sound levels is included for your protection.

**Decibel Level Example**

30	Quiet library, soft whispers
40	Living room, refrigerator, bedroom away from traffic
50	Light traffic, normal conversation, quiet office
60	Air conditioner at 20 feet, sewing machine
70	Vacuum cleaner, hair dryer, noisy restaurant
80	Average city traffic, garbage disposals, alarm clock at two feet.

**THE FOLLOWING NOISES CAN BE DANGEROUS UNDER CONSTANT EXPOSURE**

90	Subway, motorcycle, truck traffic, lawn mower
100	Garbage truck, chain saw, pneumatic drill
120	Rock band concert in front of speakers, thunderclap
140	Gunshot blast, jet plane
180	Rocket launching pad

Information courtesy of the Deafness Research Foundation.



5001\_En

Should this product require service in the U.S.A. and you wish to locate the nearest Pioneer Authorized Independent Service Company, or if you wish to purchase replacement parts, operating instructions, service manuals, or accessories, please call the number shown below.

**(800) 421-1404**

Please do not ship your product to Pioneer without first calling the Customer Support Division at the above listed number for assistance.

**PIONEER ELECTRONICS (USA), INC.  
CUSTOMER SUPPORT DIVISION  
P.O. BOX 1760, LONG BEACH,  
CA 90801-1760, U.S.A.**

For warranty information please see the Limited Warranty sheet included with your product.

Should this product require service in Canada, please contact a Pioneer Canadian Authorized Dealer to locate the nearest Pioneer Authorized Service Company in Canada. Alternatively, please contact the Customer Service Department at the following address:

**Pioneer Electronics of Canada, Inc.**

**300 Allstate Parkway  
Markham, ON L3R OP2  
(905) 479-4411  
1 (877) 283-5901**

For warranty information please see the Limited Warranty sheet included with your product.

Published by Pioneer Corporation.  
Copyright © 2004 Pioneer Corporation.  
All rights reserved.

**PIONEER CORPORATION** 1-1, Shin-ogura, Saiwai-ku, Kawasaki-shi, Kanagawa 212-0031, Japan

**PIONEER ELECTRONICS (USA) INC.**

P.O. BOX 1540, Long Beach, California 90801-1540, U.S.A. TEL: (800) 421-1404

**PIONEER ELECTRONICS OF CANADA, INC.**

**Industrial Products Department:** 300 Allstate Parkway, Markham, Ontario L3R OP2, Canada TEL: 905-479-4411